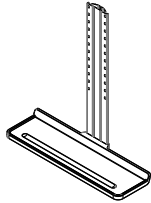




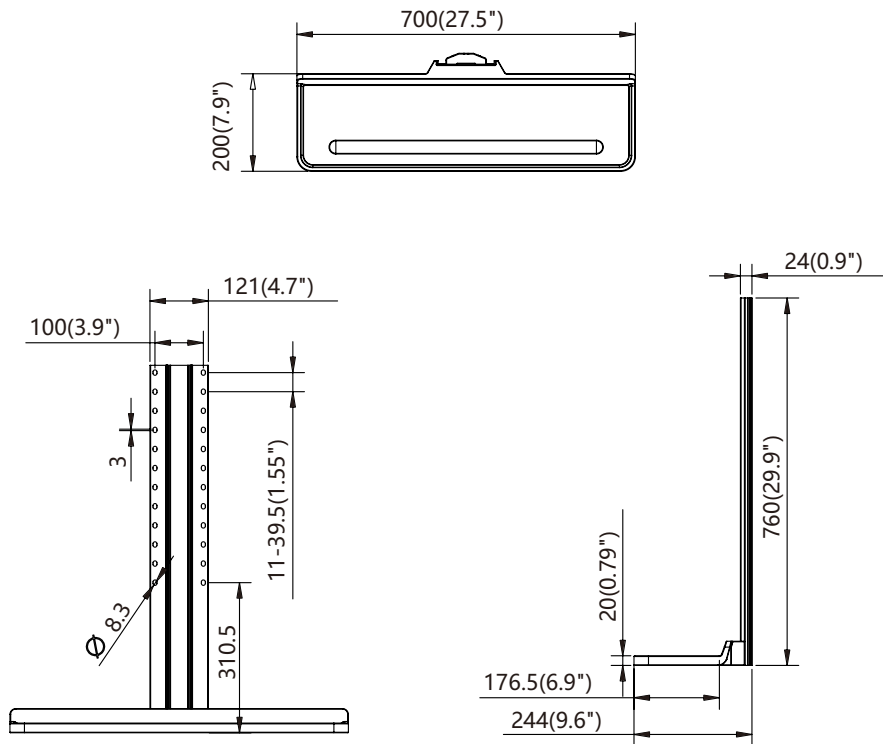
**Mobile TV Cart Accessories
Installation Manual**



FP-3

Suitable for use with T70, T80, T90, T100
Max Load: 10kg (22lbs)
Standard: Q/320583 AJHJ001-2022

A. Technical Drawing

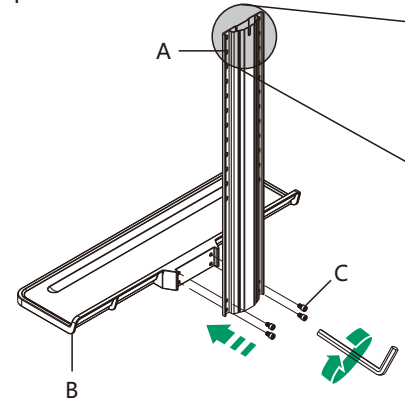


Parts List

A 1X	
B 1X	
C 8X M8x12	

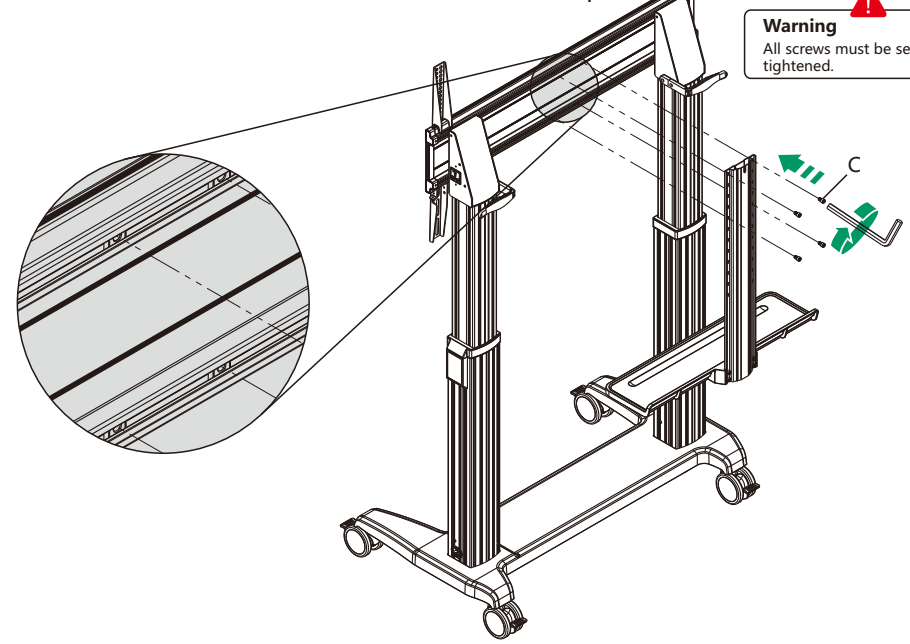
B. Installation

Step 1



Attention
Please select the right hole according to the size of television.

Step 2



Warning
All screws must be securely tightened.

CAUTION
Please read the entire instructions and safety guidelines prior to assembly. Failure to do so may cause personal injury, product damage and additional property damage.

- If you have any questions, issues or safety concerns, please contact our professional team.
- If the product is damaged or parts lost, please contact local customer service for support immediately.
- Do not make non-factory approved modifications. Do not use this product outside of its factory approved purpose.
- We declare that we cannot be liable for damage or injury caused by incorrect assembly, inappropriate use, or modification.

► We reserve the right to modify or alter instructions. No modification or alteration without formal notice.
► If there are any discrepancies between the illustration and the actual product, please refer to the physical item.



KUNSHAN HONGJIE ELECTRONICS CO., LTD
Address: NO. 1050, Fu Chun Jiang Road, Economic Development Zone, KunShan City, Jiangsu Province, 215333
Website: www.new-nb.com
Email: info@nbavmount.com